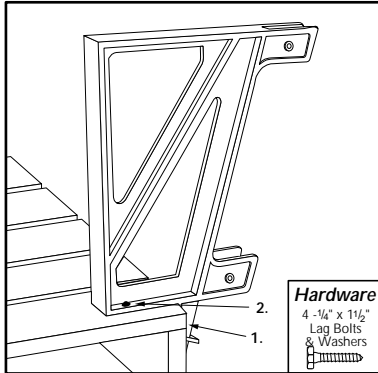


INSTRUCTIONS

NOTE: AS IS GOOD BUILDING PRACTICE,
CONSULT YOUR LOCAL BUILDING CODES.
READ COMPLETE INSTRUCTIONS BEFORE ASSEMBLY.

Step #1:

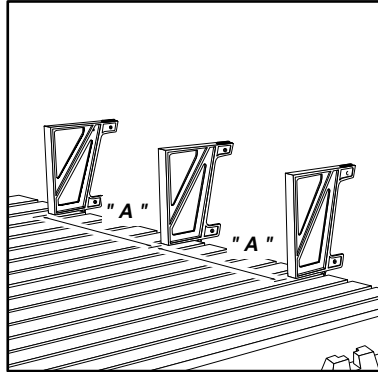
Mounting Bench Bracket



Lag bolt *DEKMATE™* Bench Bracket to a 2x6 deck stringer and surface board with 4 - 1/4" x 1 1/2" lag bolts.

1. Fasten lag bolts with washers to fascia.
2. Fasten lag bolts with washers to surface board.

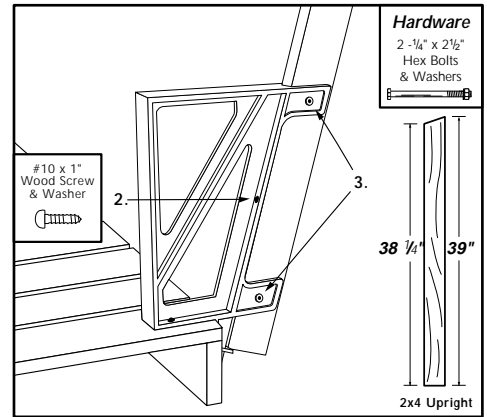
Spacing Between Bench Brackets



"A" = distance between centers of bench brackets (see material list on package for your size deck bench)

Step #2:

2x4 Upright

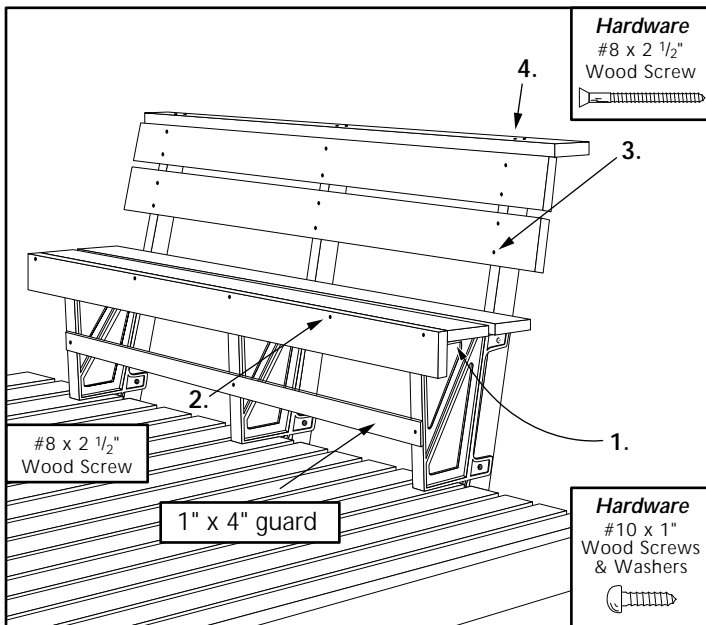


1. Place a 39" 2x4 into the *DEKMATE™* Bench Bracket as shown. (See back for cutting instructions)
2. Secure 2x4 to Bench Bracket with 2 - #10 x 1" wood screws before drilling pilot hole.
3. Drill hole (*top & bottom*) through bracket and 2x4 upright (use 1/4" drill bit). Use 2 - 1/4" x 2 1/2" Hex Bolts with nut, washer and lock washer through 2x4.

Note: To extend 2x4 uprights & backrest boards see options on back page.

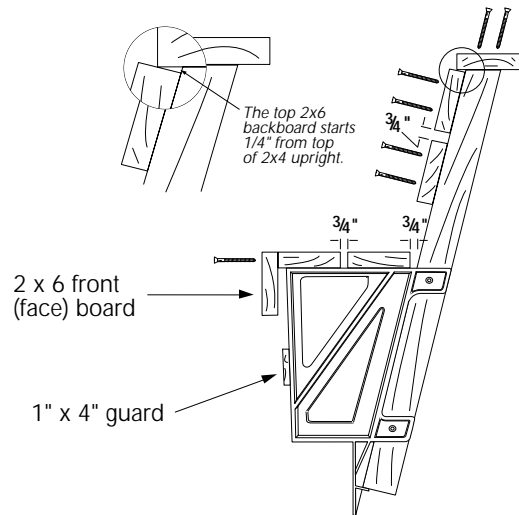
Step #3:

2x6 Seat, Back, Top Rail



1. **Seat:** Screw each 2x6 seatboard to each *DEKMATE™* Bench Bracket with 4 - #10 x 1" wood screws & washers from underneath bench bracket (*recommended seat spacing 3/4"*)
2. **Front (face) Board:** Use #8 x 2 1/2" wood screws. Screw spacing - one at each bracket and one centered between brackets.
3. **Back:** Screw each 2x6 backboard to 2x4 upright using 4 - #8 x 2 1/2" wood screws.
4. **Top Rail:** Attach using 2 - #8 x 2 1/2" wood screws.
5. **Guard:** Attach 1" x 4" guard to the front of each bracket. (hardware not included)

Recommended Spacing for Backboards and Top Rail



Note: When extending 2x4 upright, continue with 2x6 backboards to top of upright.

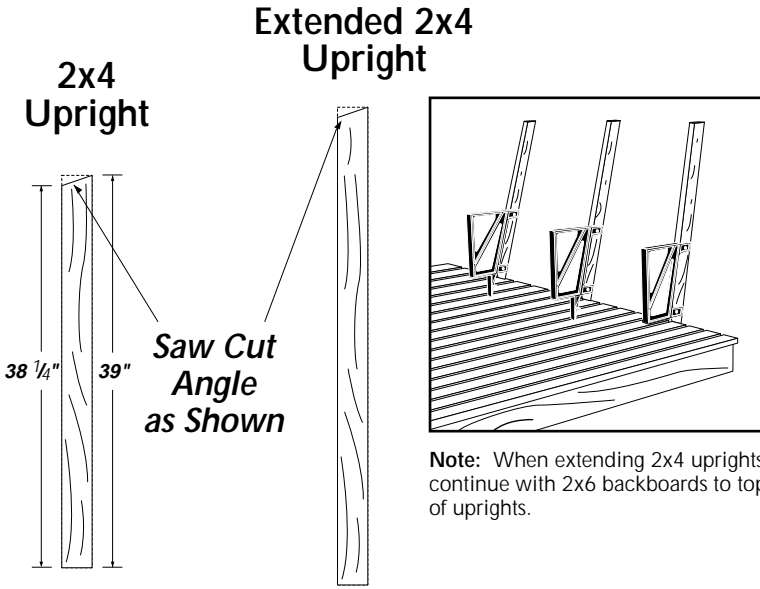
Hardware Included

- 4 - 1/4" x 1 1/2" Lag Bolts w/washers
- 2 - 1/4" x 2 1/2" Hex Bolts w/nut, & washers
- 6 - #10 x 1" Wood Screws w/washers
- 8 - #8 x 2 1/2" Wood Screws

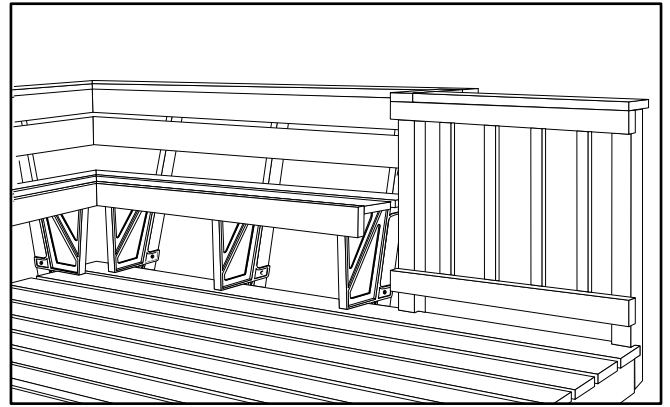
GUARANTEE

Any brackets installed using our instruction guidelines that prove to be defective within 10 years from date of purchase will be replaced free. This guarantee is for the original purchaser only and does not include replacement labour or any other materials.

Note: To increase the height of your bench backrest, extend the length of each 2x4 upright to desired height.



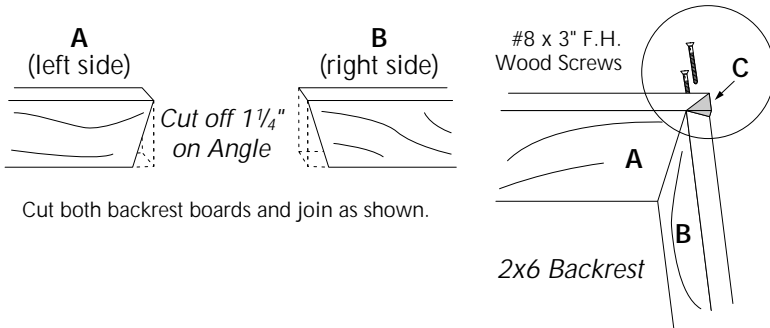
Turning A Corner & Tying to Handrail



Note: Mount 2 Bench Brackets 6" from each corner on deck.

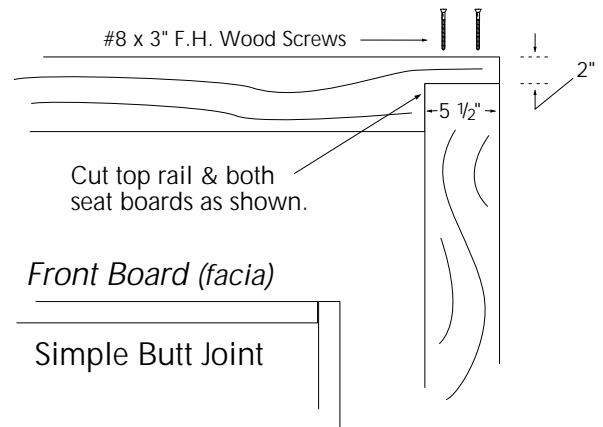
IMPORTANT: Turning a corner and tying into the handrail can also be obtained by making mitre cuts on all joints. Hardware not included for turning a corner or tying to handrail.

The Simple Method of Turning a Corner (Butt Joint) 2x6 Backboards

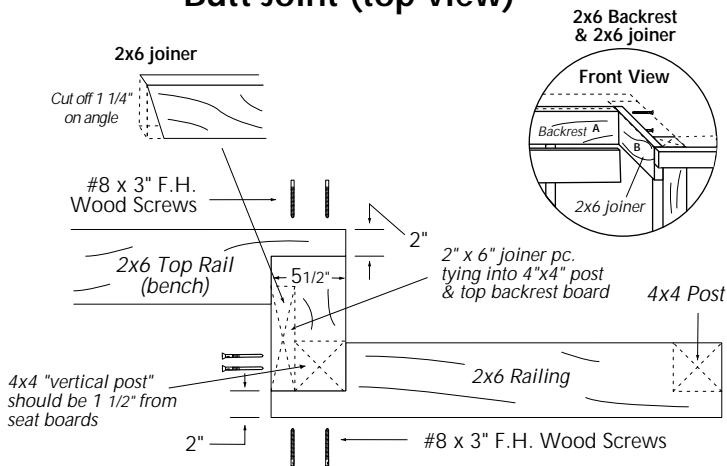


NOTE: After assembly of the 2 - 2x6 backboards, the top ("A") board requires planing in order to allow the 2x6 top rail to rest flat. With a file or rasp, shave off 1 1/2" x 1/4" (shaded area marked "C") from the top of the 2x6 top board ("A") to allow the top rail to rest level.

2x6 Top Rail & Seat Boards Butt Joint (top view)



Tying Your Bench to the Handrail Butt Joint (top view)



Cut 2x6 top board of railing and top rail of bench as shown.

